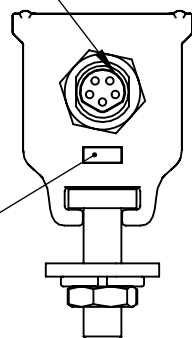
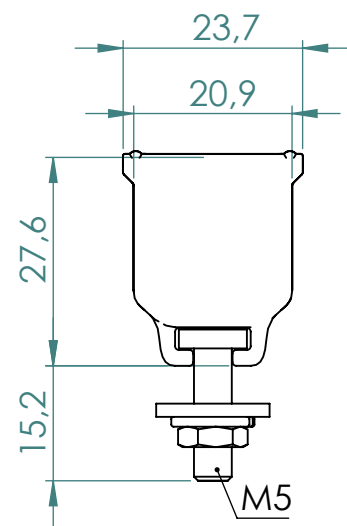


M8 connector 5p male

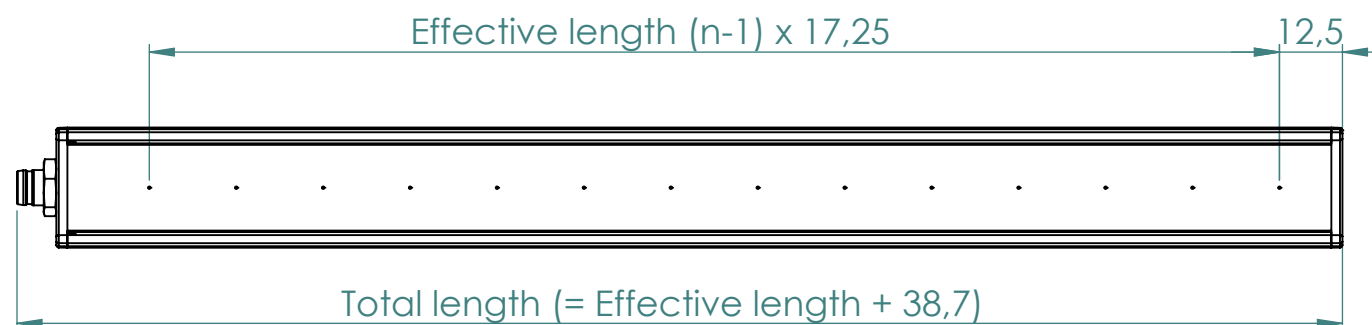
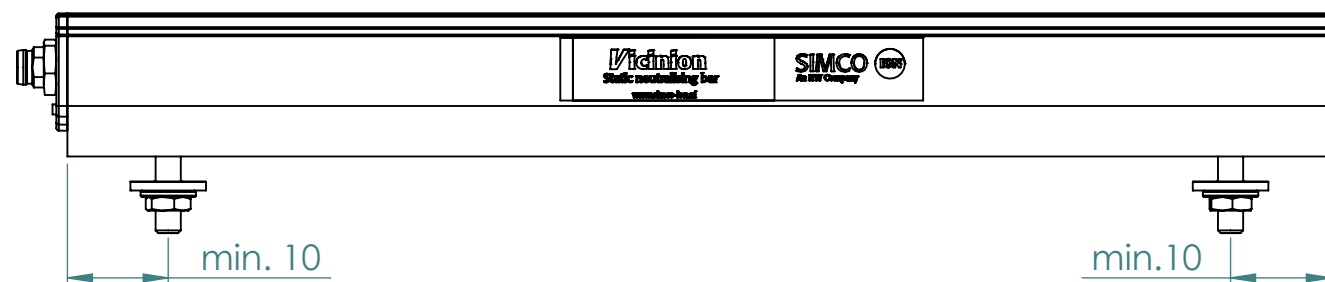
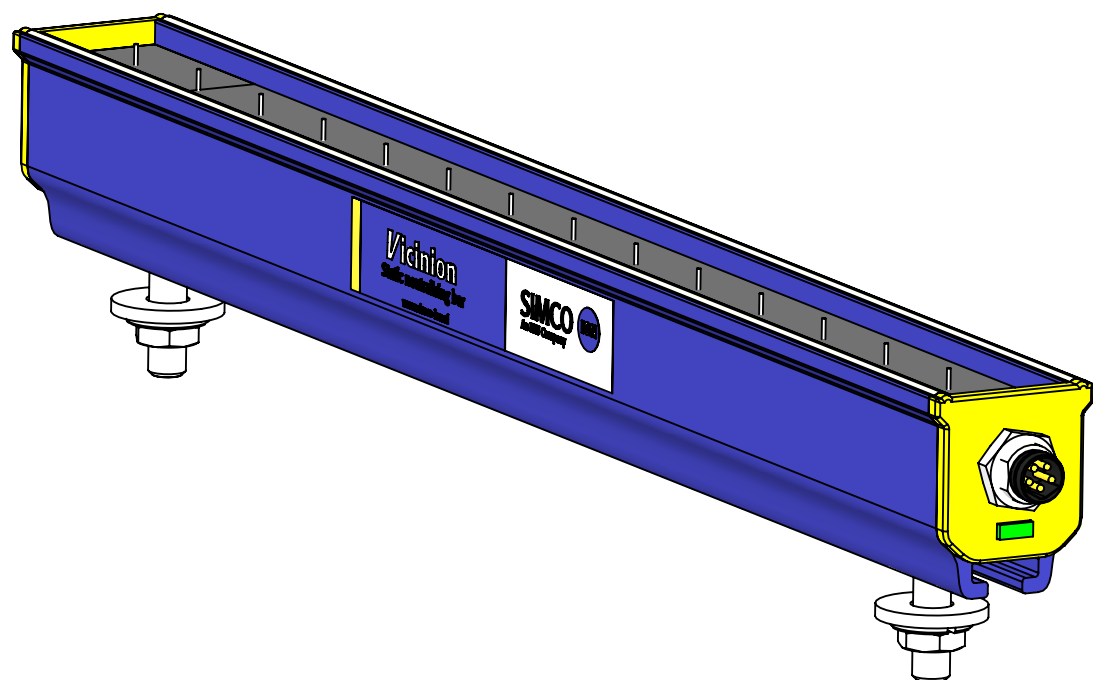
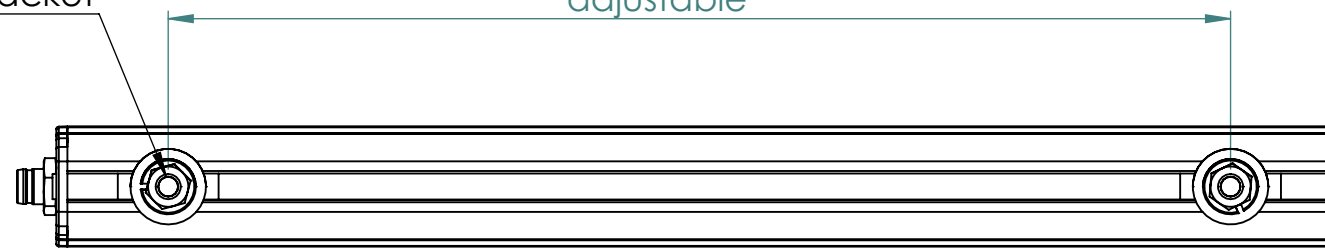
Status LED



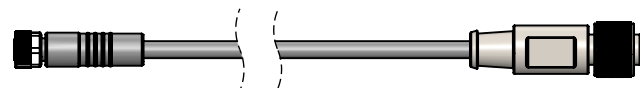
Slidable and removable bracket



adjustable



Optional connectors:



M8 - M12 cable (Connect to Manager IQ Easy or Desktop Power supply)

L = 2 m Itemnr. 7519020265



M8 cable blunt end (Connect to Power supply)

L = 5 m Itemnr. 7519020261

n = amount of emitters

Minimal Effective length: 224,3 mm  
Maximal Effective length: 966 mm

Total length > 500 mm: 3 brackets