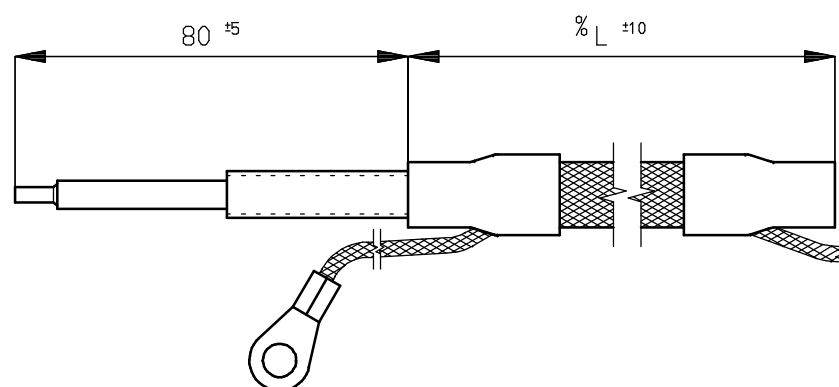


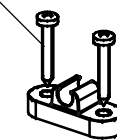
### Cable exit options

(With shielded HV-cable)

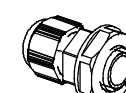


### Mounting materials included

ST3,5x19



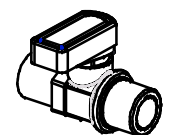
Gland



PG-9

(only with standard HV-cable)

### Option Valve

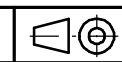


Female - female  
1/8 BSP  
Part no.: 9146982101

**SIMCO ION**  
An ITW Company  
www.simco-ion.nl Tel: +31 (0)573 288333

Name: Ionizing air nozzle type BW 1/4"

CAD generated Dimensions in mm Date: 08-07-2011 A3 M: 1:1



ECN2011-070

Drawn: MVN

Part no.: -

Check: -

Dwg. no.: 16100000/B