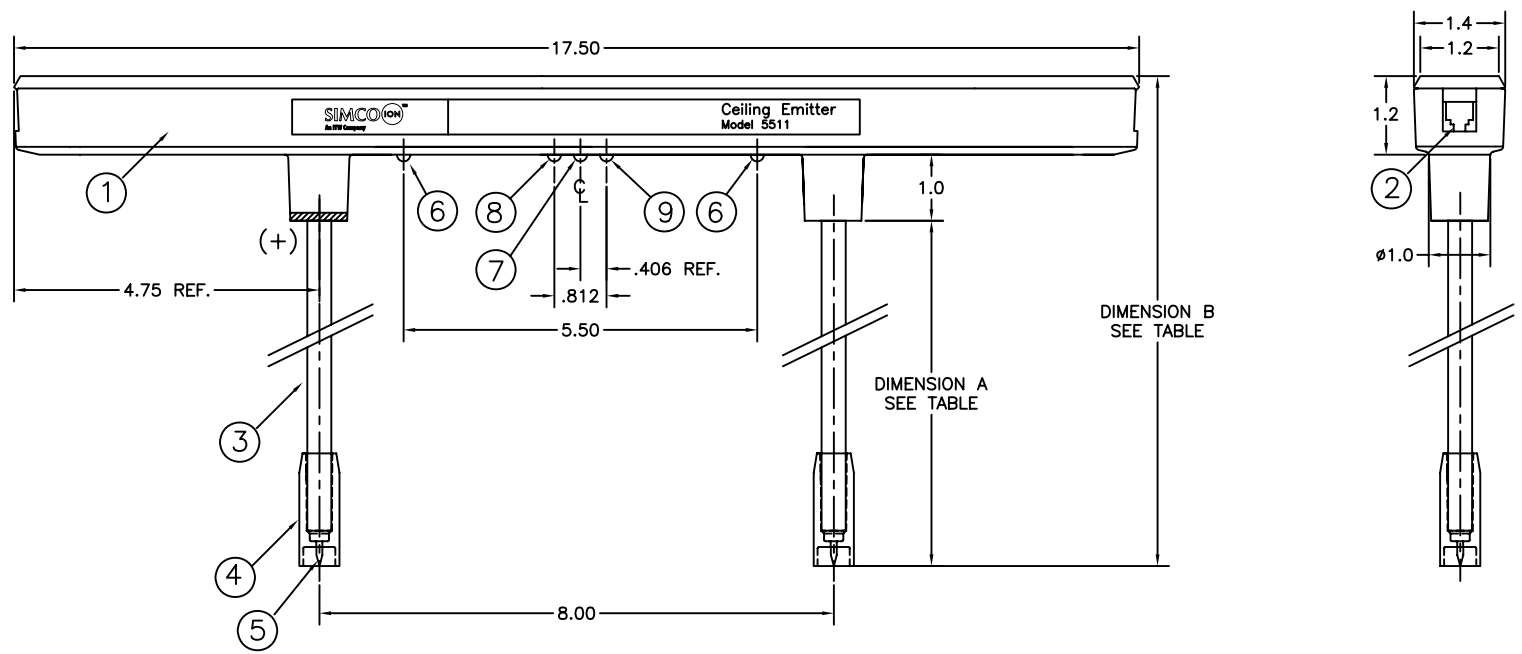


ZONE		REV.	DESCRIPTION	DATE	APPROVED
	1	ECO 2821	- INITIAL PRODUCTION RELEASE	8.24.07	gy
	2	ADDED 2.5/24/36/60	LENGTHS TO TABLE	9/21/09	AK/CL
	3	ECO #3359	ADDED 22" and 66" LENGTH.	6.15.11	CL



P/N	LENGTH	
	A, in.	B, in.
91-5515-66	65.85	68.1
91-5515-60	59.85	62.1
91-5515-36	35.85	38.1
91-5515-24	23.85	26.1
91-5515-22	21.85	24.1
91-5515-15	14.85	17.1
91-5515-10	9.85	12.1
91-5515-05	4.85	7.1
91-5515-2.5	2.35	4.6

1. CHASSIS
2. MODULAR CONN. POWER INPUT, 2 PLCS.
3. EXTENDER RODS, 2 PLCS (LENGTH VARIES, SEE TABLE)
4. EMITTER POINT PROTECTOR (2 PLCS)
5. EMITTER POINT (2 PLCS)
6. HVPS POWER INDICATOR (2 PLCS)
7. ALARM INDICATOR
8. IR RECEIVE LED
9. IR TRANSMIT LED

 THIRD ANGLE PROJECTION		INTERPRET PER ANSI Y14.5M. Unless otherwise specified: Dimensions are in inches (mm) TOLERANCES ANGULAR X.X ± 0.05 ± 0.5° X.XX ± 0.01 FRACTIONS ± 1/32 X.XXX ± 0.005	CAD GENERATED DRAWING. DO NOT MANUALLY UPDATE	 An ITW Company	1750 North Loop Rd. Alameda, CA 94502 Tel. (510)217-0600 Fax (510)217-0484
PROPRIETARY AND CONFIDENTIAL THE INFORMATION CONTAINED IN THIS DRAWING IS THE SOLE PROPERTY OF SIMCOION. ANY REPRODUCTION IN PART OR AS A WHOLE WITHOUT THE WRITTEN PERMISSION OF SIMCOION IS PROHIBITED.		MATERIAL: SEE NOTES SURFACE FINISH: SEE NOTES APPLICATION: DO NOT SCALE DRAWING	APPROVALS: zklchcko 08.24.07 ENGINEER: aklochko 6.14.2011	<b>5515 Ceiling Emitter Overall Dimensions</b>	
NEXT ASSY: USED ON: APPLICATION	DWG. NO. <b>5515DIM</b> SCALE 1:2 CAD FILE: 5515DIM_3	APPR ENG: WFG BSG	SHEET 1 OF 1	REV. <b>3</b>	