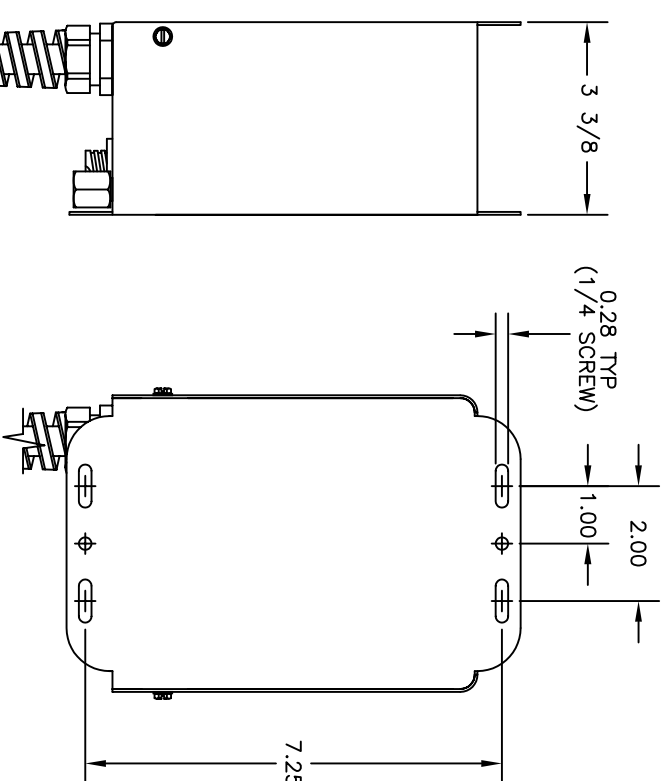
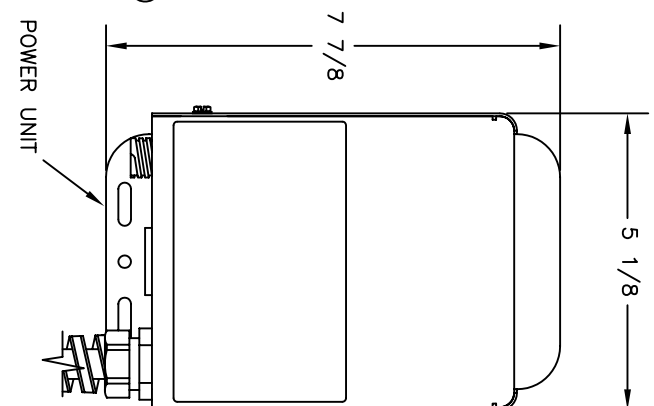


MODEL DESCRIPTION

- 4009245- COMPLETE UNIT, 120VAC, 50/60 Hz INCLUDING:
NOZZLE WITH 7 FT FLEXNECK CABLE,
REMOTE CONTROL FOOTSWITCH ASSEMBLY,
AND N. AM. POWER CORD (UL/CUL LISTED)
- 4009246- COMPLETE UNIT, 230VAC, 50/60 Hz INCLUDING:
NOZZLE WITH 7 FT FLEXNECK CABLE,
REMOTE CONTROL FOOTSWITCH ASSEMBLY,
AND EURO. POWER CORD (CE, UL/CUL LISTED)
- 4009449- COMPLETE UNIT, 230VAC, 50/60 Hz INCLUDING:
NOZZLE WITH 7 FT FLEXNECK CABLE,
REMOTE CONTROL FOOTSWITCH ASSEMBLY,
AND UK/IRELAND POWER CORD (CE, UL/CUL LISTED)



ACCESSORIES

- 5050696- REPLACEMENT FILTER KIT (2 FILTERS)

SPECIFICATIONS

MODEL: ORION POWER UNIT WITH BLOW OFF NOZZLE

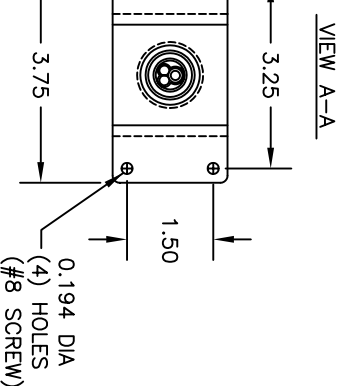
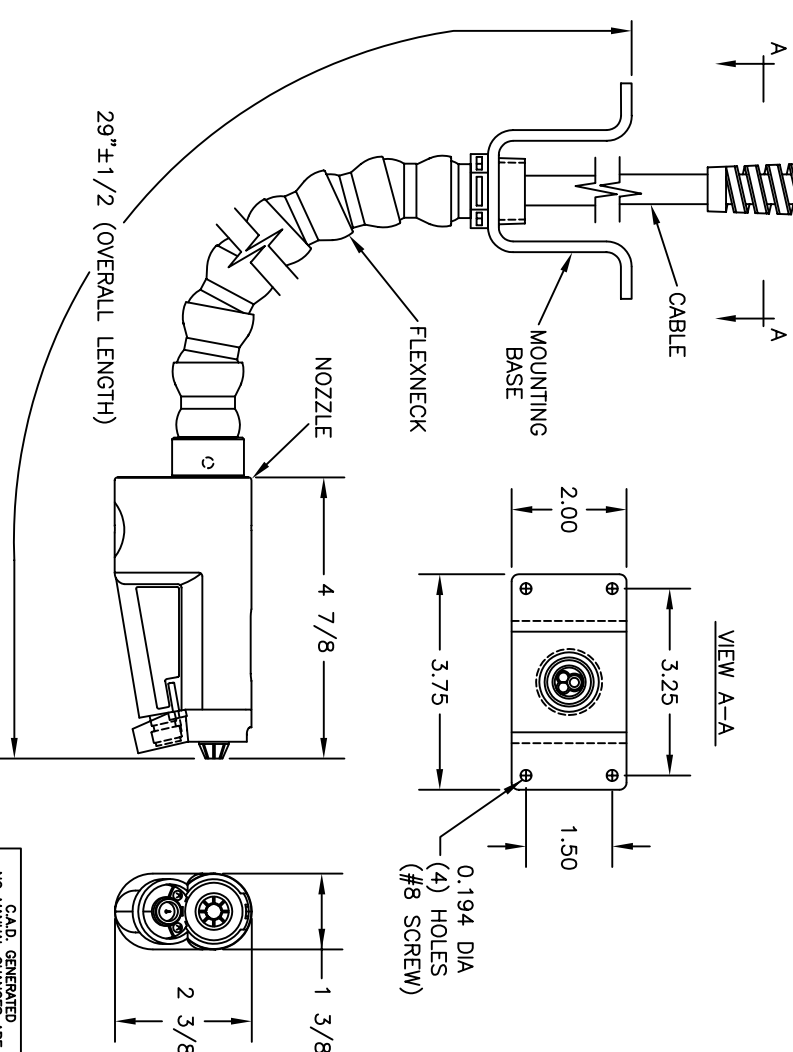
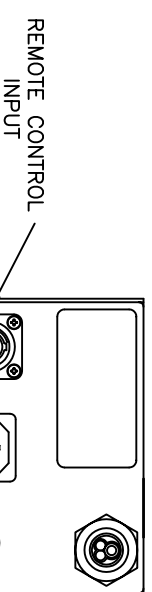
GAS FLOW: 2.4 SCFM AT 30 PSI (68 l/MIN AT 2 BAR)
4.6 SCFM AT 60 PSI (130 l/MIN AT 4 BAR)
7.4 SCFM AT 100 PSI (210 l/MIN AT 7 BAR)

DISCHARGE TIME: 1000V TO 100V, LESS THAN 2 SECONDS AT 6 IN.(ESD-STD3.1-2000)
1000V TO 100V, LESS THAN 1 SECOND AT 2 IN.

OFFSET VOLTAGE: ±15V FROM SET POINT, SET POINT ADJUSTABLE TO 0V(ESD-STM3.1-2000)

MATERIAL: (POWER UNIT CABINET) STEEL WITH POLYESTER FINISH, COLOR- WHITE
(NOZZLE BODY) STATIC DISSIPATIVE POLYCARBONATE/ABS, COLOR- BLACK
(NOZZLE MOUNTING BRACKET) STAINLESS STEEL, COLOR- NATURAL METALLIC
(NOZZLE CABLE) STATIC DISSIPATIVE POLYURETHANE, COLOR- BLACK

UNIT WEIGHT: 9.00 LBS (APPROX.)



THESE DRAWINGS AND SPECIFICATIONS ARE THE EXCLUSIVE PROPERTY OF SIMCO CO., INCORPORATED ISSUED IN STRICT CONFIDENCE AND SHALL NOT BE REPRODUCED, COPIED, OR USED FOR ANY PURPOSE WHATSOEVER EXCEPT THE MANUFACTURE OF ARTICLES FOR SIMCO CO., INC.

REV	DESCRIPTION	DATE	FINISH	MATERIAL	TITLE
B	GAS INPUT WAS 1/8NPT	10/8	FINISH		DIMENSIONAL DRAWING SIDEKICK (ORION) NOZZLE
A	MODEL UPGRADE	2/25/02	FINISH		

DRW'TSR	DATE	CHECKER	DATE
B CARVER	10/24/02	WPC	10/24/02
PROJ ENGR	DATE	MFR ENGR	DATE
J GORCZYCA	10/24/02		

CAD GENERATED
NO MANUAL CHANGES ARE
TO BE MADE TO THIS DOCUMENT

SHEET 1 OF 1
DRAWING NUMBER
5001007

the SIMCO company, Inc.
2257 NORTH PENN ROAD
HAFFIELD, PA. 19440-1998

