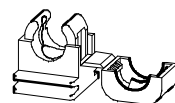
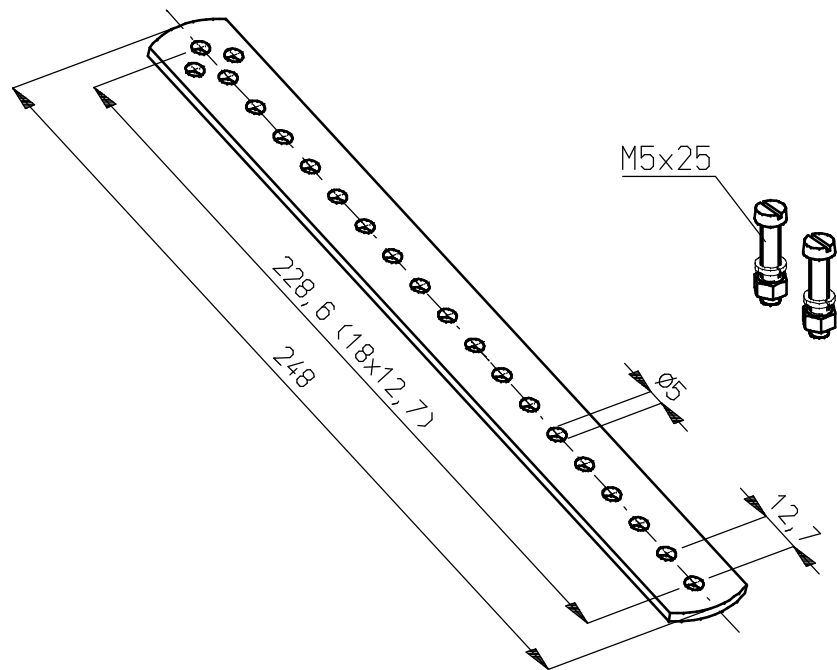


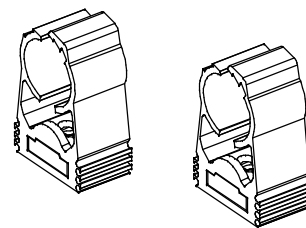
L = length protected HV-cable 3 metres (P/N: 0927082003)
 L = length protected HV-cable 6 metres (P/N: 0927082006)

Supply voltage: max. 20kV DC
 Operating temperature: max. 70°C

Mounting materials included



Amount of cable clamps =
 (cable length(m)x4)-1



Mounting clamps

 An ITW Company www.simco-ion.nl Tel: +31 (0)573 288333	Name: Charging Electrode Pinner 6 Point Lite					Drawn: RBL	Part no.: —	
	CAD generated NOT updated	Dimensions in mm	Date: 22-3-2004	A3	M: 1:1		ECN2013-020	Check: -